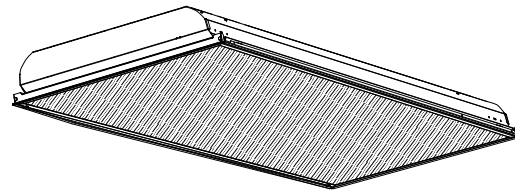
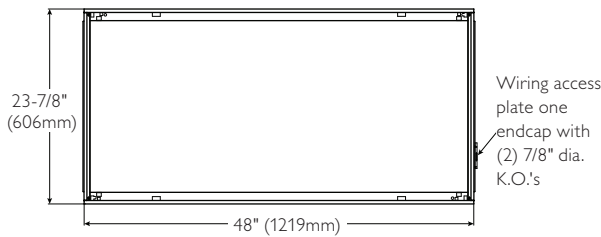
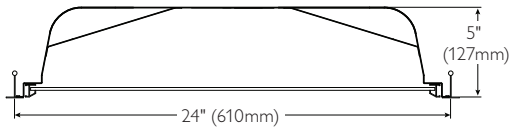


## Recessed 2'X4' Luminaire, LED



Project: \_\_\_\_\_  
 Location: \_\_\_\_\_  
 Catalog No: \_\_\_\_\_  
 Fixture Type: \_\_\_\_\_  
 Mfg: \_\_\_\_\_  
 Notes: \_\_\_\_\_

### Ordering Information

| SpecPlus           | Body Style | Fixture Size                | Ceiling Type             | Lens Frame   | Lens Shielding   | Lumen Category   | Color Temp   | Voltage                | Driver Type  | Options  |
|--------------------|------------|-----------------------------|--------------------------|--|--|--|--|------------------------|--|--|
| <b>SP</b>          | <b>S</b>   | <b>24</b>                   | <b>G</b>                 |  |  |  | <b>40</b>  | <b>U</b>               | <b>LAG</b>   | -  |
| Recessed Luminaire | S = Static | 24 = 2' X 4' (Nominal size) | G = 9/16" or 15/16" Grid | FS = Flat steel frame<br>FA = Flat aluminum frame<br>RA = Regressed aluminum frame | KA = 0.156 Prismatic acrylic lens<br>VA = 0.095 Prismatic acrylic lens | 26A = 2600 lumens<br>33A = 3300 lumens<br>37A = 3700 lumens<br>43A = 4300 lumens<br>Flat steel frame with KA lens used as example (Approximate delivered values. Consult IES file) | 40 = 4000K<br>Consult representative for other color temperature options. (Approximate values. Consult IES file) | U = Universal 120-277v | LAG = LED Driver<br>Consult representative for dimming options | Add appropriate suffix to catalog no., i.e.: (C) |

### Features

- Prismatic acrylic lens.
- Can provide 47 initial footcandles at 0.56 watts per square foot.
- Delivers 3742 lumens with just 44.9 input watts.
- Field replaceable LED array and drivers accessible from below.
- Integrated thermal management system conducts heat away from LEDs and transfers it to the surrounding environment.
- Intelligent driver technology, our LitePlane platform, is a factory calibrated system providing the customer multiple lumen outputs to balance energy savings with lighting application needs.
- High efficiency LEDs have 50,000 hour rated life at L<sub>70</sub>.
- Predicted L70 lifetime is based on LED manufacturer's supplied LM-80 data and in-situ laboratory testing.
- 5" deep body.
- Earthquake/Hold-down clips.
- Hemmed over side rails for maximum safety.
- Spring loaded rooster head latches.
- Not for continuous row mounting.
- Five-year warranty on luminaire, LED boards and driver.



**PHILIPS**  
Day-Brite

**PHILIPS**  
CFI

### Specifications

**Materials:** Chassis parts are die-formed code gauge cold rolled steel. Housing with side rails hemmed over and housing ends turned-in for safe handling.

**Finish: Chassis exterior**—white baked polyester enamel.

**Cavity**—white baked polyester enamel minimum 95% reflectance. Rust preventative undercoating.

**Lens Frame: FS**—flat full-size steel frame, **FA**—flat full-size extruded aluminum frame, **RA**—regressed full-sized extruded aluminum frame.

**Lenses: KA**—extruded virgin acrylic .156" nominal thickness, similar to pattern 19. **VA**—extruded virgin acrylic, 3/16" square based female cones, running 45° to the panel edge, .095" nominal thickness, similar to pattern 12.

**Electrical:** LED boards and drivers are RoHS (Restriction of Hazardous Substances) compliant. For dimming options Philips Lighting representative.

**Labels:** I.B.E.W. UL and ULc Listed.

### Options/Accessories

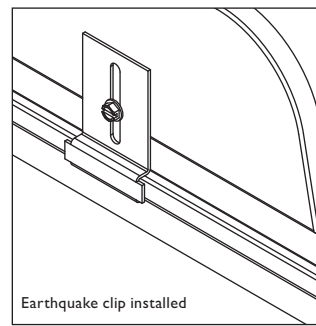
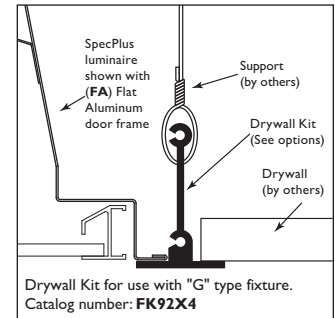
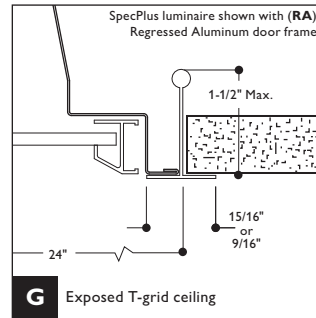
**Electrical Wiring Options:** Consult factory.

**Drywall Kit:** Order Catalog Number: **FK92X4**.

**Fusing:** Internal fast blow fusing: Suffix: **A**.  
Internal slow blow fusing: Suffix: **C**.

**Chicago Plenum:** Suffix: **C**.

### Mounting Methods



### Photometry

Report Number<sup>1</sup>: G2011242  
 Catalog Number: SPS24GFAKA37A40ULAG  
 Delivered Lumens: 3742  
 Correlated Color Temp.<sup>2</sup>: 3995K  
 Input Watts: 44.9  
 Efficacy: 83.3 lm/w  
 CRI: 84.6  
 Lamp: LED  
 Luminaire: 2' x 4' Specplus LED with flat steel door frame and acrylic prismatic lens  
 CIE Type: Direct/Indirect  
 Plane: 0-Deg. 90-Deg.  
 Shielding Angles: 90 90  
 Plane: 0-Deg. 90-Deg.  
 Luminous Length: 45.960 21.720

### Candela Distribution

| Vertical Angle | Horizontal Angle |       | Zonal Lumens |
|----------------|------------------|-------|--------------|
|                | 0                | 45 90 |              |
| 0              | 1976             | 1976  | 1976         |
| 5              | 1948             | 1956  | 1970         |
| 15             | 1842             | 1863  | 1879         |
| 25             | 1674             | 1692  | 1723         |
| 35             | 1420             | 1424  | 1486         |
| 45             | 947              | 857   | 806          |
| 55             | 349              | 435   | 284          |
| 65             | 102              | 179   | 96           |
| 75             | 80               | 58    | 82           |
| 85             | 31               | 32    | 33           |
| 90             | 0                | 0     | 0            |

<sup>1</sup> Tested using absolute photometry as specified in LM79: IESNA Approved Method for the Electrical and Photometric Measurements of Solid-State Lighting Products.  
<sup>2</sup> Correlated Color Temperature within specs as defined in ANSI\_NEMA\_ANSLG C78.377-2008: Specifications for the Chromaticity of Solid State Lighting Products.

### Coefficients of Utilization

| Ceiling Wall | 80%                               |     |     | 50% |    |    | 30% |    |    |
|--------------|-----------------------------------|-----|-----|-----|----|----|-----|----|----|
|              | 70                                | 50  | 30  | 50  | 30 | 10 | 50  | 30 | 10 |
| RC           | Zonal Cavity Method               |     |     |     |    |    |     |    |    |
| RW           | Effective Floor Reflectance = 20% |     |     |     |    |    |     |    |    |
| 1            | 111                               | 107 | 104 | 101 | 98 | 96 | 97  | 95 | 93 |
| 2            | 103                               | 96  | 91  | 91  | 87 | 83 | 88  | 84 | 81 |
| 3            | 96                                | 87  | 80  | 82  | 77 | 73 | 80  | 75 | 72 |
| 4            | 89                                | 79  | 71  | 75  | 69 | 64 | 73  | 68 | 63 |
| 5            | 83                                | 71  | 64  | 68  | 62 | 57 | 67  | 61 | 57 |
| 6            | 77                                | 65  | 57  | 63  | 56 | 51 | 61  | 55 | 51 |
| 7            | 72                                | 60  | 52  | 58  | 51 | 46 | 56  | 50 | 46 |
| 8            | 67                                | 55  | 48  | 53  | 47 | 42 | 52  | 46 | 42 |
| 9            | 63                                | 51  | 44  | 49  | 43 | 38 | 48  | 42 | 38 |
| 10           | 59                                | 47  | 40  | 46  | 40 | 35 | 45  | 39 | 35 |

### Average Luminance data in candela / sq. meter

| Angle | 0°    | 45°   | 90°   |
|-------|-------|-------|-------|
| 45    | 2079. | 1881. | 1769. |
| 55    | 944.  | 1177. | 769.  |
| 65    | 375.  | 657.  | 353.  |
| 75    | 480.  | 348.  | 492.  |
| 85    | 552.  | 570.  | 588.  |

### Zonal Lumen Summary\*

| Zone  | Lumens | % Lamp | % Fixt. |
|-------|--------|--------|---------|
| 0-30  | 1494   | 39.9   | 39.9    |
| 0-40  | 2391   | 63.9   | 63.9    |
| 0-60  | 3428   | 91.6   | 91.6    |
| 0-90  | 3742   | 100.0  | 100.0   |
| 0-180 | 3742   | 100.0  | 100.0   |

\*Total Efficiency

### Additional Ordering Information

#### Flat Steel/Aluminum Door Frame with KA Lens

| Catalog Number      | Delivered Lumens | Input Watts | Lumens per Watt | Average initial 8'X8' footcandles | 8'X8' Watts per sq. foot | Average initial 8'X10' footcandles | 8'X10' Watts per sq. foot |
|---------------------|------------------|-------------|-----------------|-----------------------------------|--------------------------|------------------------------------|---------------------------|
| SPS24GFSKA26A40ULAG | 2623             | 30.1        | 87.1            | 41.0                              | 0.47                     | 32.8                               | 0.38                      |
| SPS24GFSKA33A40ULAG | 3268             | 38.5        | 84.9            | 51.1                              | 0.60                     | 40.9                               | 0.48                      |
| SPS24GFSKA37A40ULAG | 3742             | 44.9        | 83.3            | 58.5                              | 0.70                     | 46.8                               | 0.56                      |
| SPS24GFSKA43A40ULAG | 4294             | 52.9        | 81.2            | 67.1                              | 0.83                     | 53.7                               | 0.66                      |

#### Flat Steel/Aluminum Door Frame with VA Lens

| Catalog Number      | Delivered Lumens | Input Watts | Lumens per Watt | Average initial 8'X8' footcandles | 8'X8' Watts per sq. foot | Average initial 8'X10' footcandles | 8'X10' Watts per sq. foot |
|---------------------|------------------|-------------|-----------------|-----------------------------------|--------------------------|------------------------------------|---------------------------|
| SPS24GFSVA26A40ULAG | 2711             | 30.1        | 90.1            | 42.4                              | 0.47                     | 33.9                               | 0.38                      |
| SPS24GFSVA33A40ULAG | 3375             | 38.5        | 87.7            | 52.7                              | 0.60                     | 42.2                               | 0.48                      |
| SPS24GFSVA37A40ULAG | 3799             | 44.9        | 84.6            | 59.4                              | 0.70                     | 47.5                               | 0.56                      |
| SPS24GFSVA43A40ULAG | 4440             | 52.9        | 83.9            | 69.4                              | 0.83                     | 55.5                               | 0.66                      |

#### Regressed Aluminum Door Frame with KA Lens

| Catalog Number      | Delivered Lumens | Input Watts | Lumens per Watt | Average initial 8'X8' footcandles | 8'X8' Watts per sq. foot | Average initial 8'X10' footcandles | 8'X10' Watts per sq. foot |
|---------------------|------------------|-------------|-----------------|-----------------------------------|--------------------------|------------------------------------|---------------------------|
| SPS24GRAKA26A40ULAG | 2623             | 30.1        | 87.1            | 41.0                              | 0.47                     | 32.8                               | 0.38                      |
| SPS24GRAKA33A40ULAG | 3268             | 38.5        | 84.9            | 51.1                              | 0.60                     | 40.9                               | 0.48                      |
| SPS24GRAKA37A40ULAG | 3742             | 44.9        | 83.3            | 58.5                              | 0.70                     | 46.8                               | 0.56                      |
| SPS24GRAKA43A40ULAG | 4294             | 52.9        | 81.2            | 67.1                              | 0.83                     | 53.7                               | 0.66                      |

#### Regressed Aluminum Door Frame with VA Lens

| Catalog Number      | Delivered Lumens | Input Watts | Lumens per Watt | Average initial 8'X8' footcandles | 8'X8' Watts per sq. foot | Average initial 8'X10' footcandles | 8'X10' Watts per sq. foot |
|---------------------|------------------|-------------|-----------------|-----------------------------------|--------------------------|------------------------------------|---------------------------|
| SPS24GRAVA26A40ULAG | 2711             | 30.1        | 90.1            | 42.4                              | 0.47                     | 33.9                               | 0.38                      |
| SPS24GRAVA33A40ULAG | 3375             | 38.5        | 87.7            | 52.7                              | 0.60                     | 42.2                               | 0.48                      |
| SPS24GRAVA38A40ULAG | 3799             | 44.9        | 84.6            | 59.4                              | 0.70                     | 47.5                               | 0.56                      |
| SPS24GRAVA43A40ULAG | 4440             | 52.9        | 83.9            | 69.4                              | 0.83                     | 55.5                               | 0.66                      |

